



B.KEOGH & SONS

MANUFACTURING PTY LTD

Portable Augers (sometimes called Mobile Augers): complete flexibility is a key characteristic of KEOGH augers. Available in combinations of any length, diameter or flite type, mounted on a variety of wheel hub types, many drive options including petrol, diesel, electric, PTO and hydraulic and a myriad of other options. They can move grain, ice, rock, super phosphate, minerals, sawdust and just about any other commodity you can think of.



B. Keogh & Sons Manufacturing Pty Ltd is Australia's trusted name in commodity handling equipment. For more than 45 years KEOGH'S have been developing and manufacturing grain handling products to meet the needs of rural and commercial producers. In an industry where experience and quality do matter B. Keogh & Sons Manufacturing Pty Ltd is the undisputed leader.

Pictured is a 13.7 meter by 225 mm unit (45' by 9") with a backsaver (third wheel unit to assist auger movement).

The HAWK-EQUIP range of augers starts at 9.15 meter units (30') which are specifically designed for field bin augers, through to 18.3 meter units (60') for filling today's modern silos. As can be seen this unit comes with a PTO shaft and clutch as standard issue, as is KEOGH'S own brand of plastic hopper.

Key Features:-

- **Handles all grain types including lupins,**
- **Safety brake winch for raising auger,**
- **Fully guarded as standard,**
- **Heavy 5 mm flite on pickup,**
- **Can be hot dipped galvanized,**
- **Available with Holden and Land cruiser wheels,**
- **Suits all petrol engines including KOHLER and HONDA,**
- **Engine/hydraulic hybrids available,**
- **Standard 2 mm barrel and 3.5 mm flite,**
- **Flite and barrel can be heavier if required,**

<i>LENGTH (meters and feet)</i>	<i>TUBE DIAMETER (mm and inches)</i>	<i>PETROL HP REQD. (175 & 225 & 250 mm)</i>	<i>LENGTHS A, B & C (meters and feet)</i>
9.14 (30')	175, 225, 250 (7, 9 & 10")	12 & 15 & 20	5.74 (19'), 3.0 (10'), 2.9 (9')
10.67 (35')	175, 225, 250 (7, 9 & 10")	12 & 15 & 20	6.68 (22'), 3.65 (12'), 2.9 (9')
12.19 (40')	175, 225, 250 (7, 9 & 10")	15 & 20 & 22	7.53 (24'), 4.23 (14'), 2.9 (9')
13.7 (45')	175, 225, 250 (7, 9 & 10")	20 & 20 & 27	8.57 (28'), 5.16 (17'), 2.9 (9')
15.24 (50')	175 & 225 (7" & 9")	20 & 22 & NA	9.51 (31'), 5.43 (18'), 2.9 (9')
16.76 (55')	175 & 225 (7" & 9")	NA & 25 & NA	10.55 (34'), 5.96 (19'), 2.9 (9')

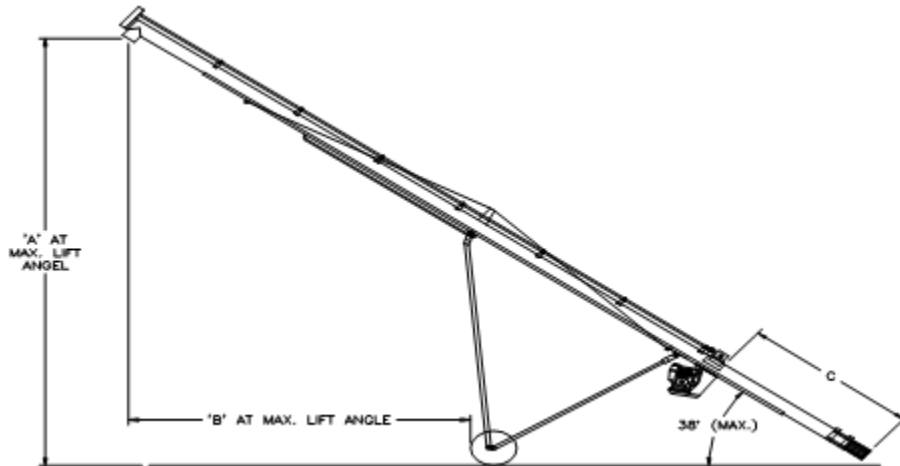
Notes:-
Reach and height subject to drive type chosen and other optional extras. Specifications subject to change without notice

**B. Keogh & Sons
Manufacturing Pty Ltd –
the manufacturers of the
trusted and renowned
HAWK-EQUIP range of
products.**



DESIGNED TO PERFORM – MANUFACTURED TO LAST

PORTABLE AUGER MODELS AVAILABLE



SPECIFICATIONS:-

- **Supplied ready to use, no assembly or extra parts to buy and no hidden extras,**
- Heavy duty 50 mm NB pipe (2" pipe) or 100*50 RHS (4"*2") for undercarriage,
- Unique design allows for engine, motor or PTO drive on the same auger,
- Supplied complete with a safety clutch/brake winch,
- Supplied as standard with a plastic hopper of KEOGH design and manufacturer,
- Supplied fully guarded and complete with lay shaft tubes,
- PTO units supplied with PTO shaft and friction clutch,
- Petrol units are generally electric start and include the battery, battery box, leads and large capacity fuel tank (recoil start engines available on request),
- Units also available in bare format with belts/pulleys set (made to suit an engine but supplied without the engine),
- Units can be fitted with leaf spring or torsion arm suspension,
- Units can be supplied in hot dip galvanized finish if required (ideal for augering super phosphate and use near coastal areas),
- Standard issue 2 mm barrel and optional 3 mm barrel,
- Standard issue 3.5 mm flite and optional 4.8 mm flite,
- Standard issue 5 mm flite on pickup end of auger,
- Standard issue rubber chain tensioner at top end drive,
- 8 mm (5/16") cable used on winch and raiser systems (raisers on units over 12.2 meters (40') long),
- Choice of drive options from petrol, diesel, PTO, mains electric, petrol/hydraulic hybrid, diesel/hydraulic hybrid or straight 'tractor hydraulics',
- Heavy duty channel sub-frame on auger and robust roller mechanism,
- All augers can be customized to suit your specific requirements.

Your nearest dealer in Keogh HAWK-EQUIPMENT is:-



Manufactured in AUSTRALIA by :-
B. KEOGH & SONS MANUFACTURING PTY LTD
Australia's Bulk Commodity Handling Specialists
ACN 006 377 215

York Street, Eaglehawk, Victoria 3556, AUSTRALIA
Telephone 03 54468377 ~ Facsimile 03 54461178
International Phone 613 54468377 ~ International Facsimile 613 54461178
Website www.augers.com.au ~ Email sales@augers.com.au